

Chicago Valves & Controls

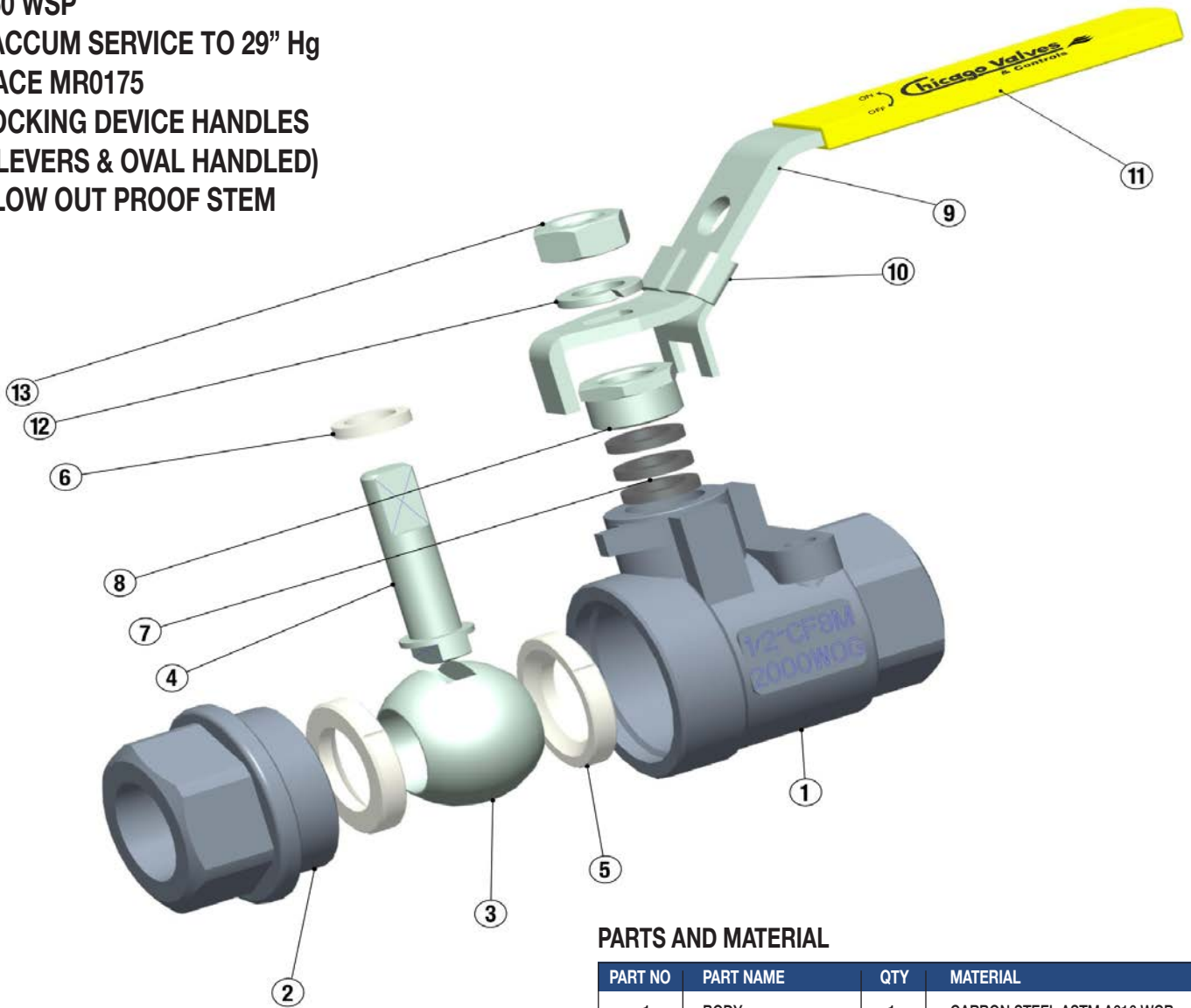


SERIES N26

**FULL PORT THREADED
2 PC BALL VALVE / SEAL WELD**

316 STAINLESS STEEL ASTM A351 CF8M
 CARBON STEEL ASTM A216 WCB
 2000 CWP (1/4" - 2")
 1500 CWP (3")
 1000 CWP (4")
 150 WSP
 VACCUM SERVICE TO 29" Hg
 NACE MR0175
 LOCKING DEVICE HANDLES
 (LEVERS & OVAL HANDLED)
 BLOW OUT PROOF STEM

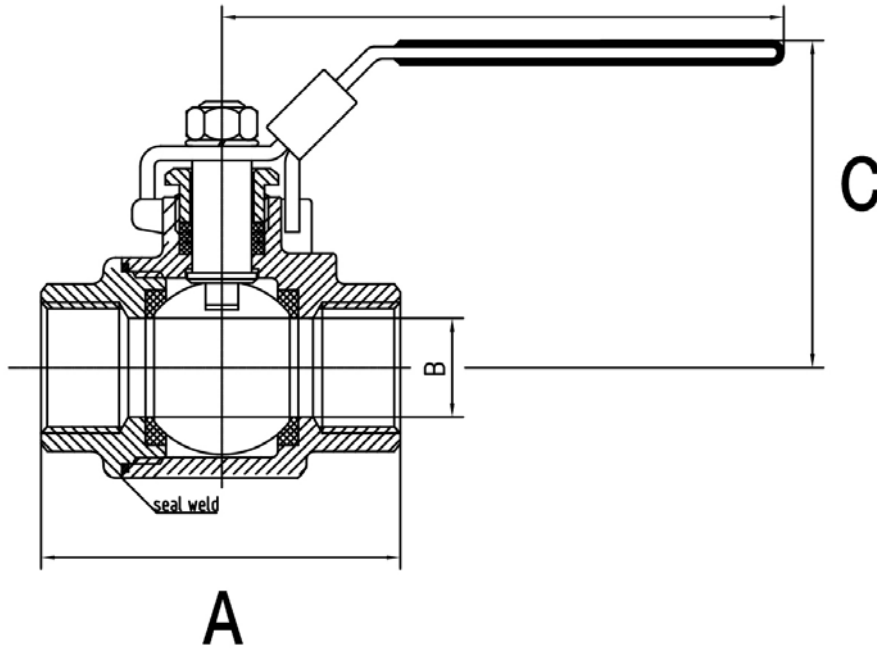
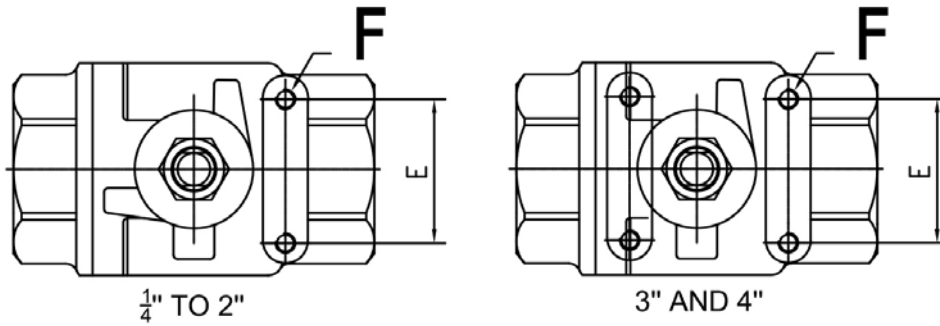
SERIES N26



PARTS AND MATERIAL

PART NO	PART NAME	QTY	MATERIAL
1	BODY	1	CARBON STEEL ASTM A216 WCB 316 STAINLESS STEEL ASTM A351 CF8M
2	END PIECE	1	CARBON STEEL ASTM A216 WCB 316 STAINLESS STEEL ASTM A351 CF8M
3	BALL	1	316 STAINLESS STEEL
4	STEM	1	316 STAINLESS STEEL
5	SEAT	2	RTFE
6	THRUST WASHER	1	RTFE
7	STEM PACKING	3	RTFE
8	PACKING NUT	1	304 STAINLESS STEEL
9	HANDLE	1	304 STAINLESS STEEL
10	LOCKING PAD	1	304 STAINLESS STEEL
11	HANDLE SLEEVE	1	PVC
12	SPRING WASHER	1	304 STAINLESS STEEL
13	HANDLE NUT	1	304 STAINLESS STEEL

SERIES N26



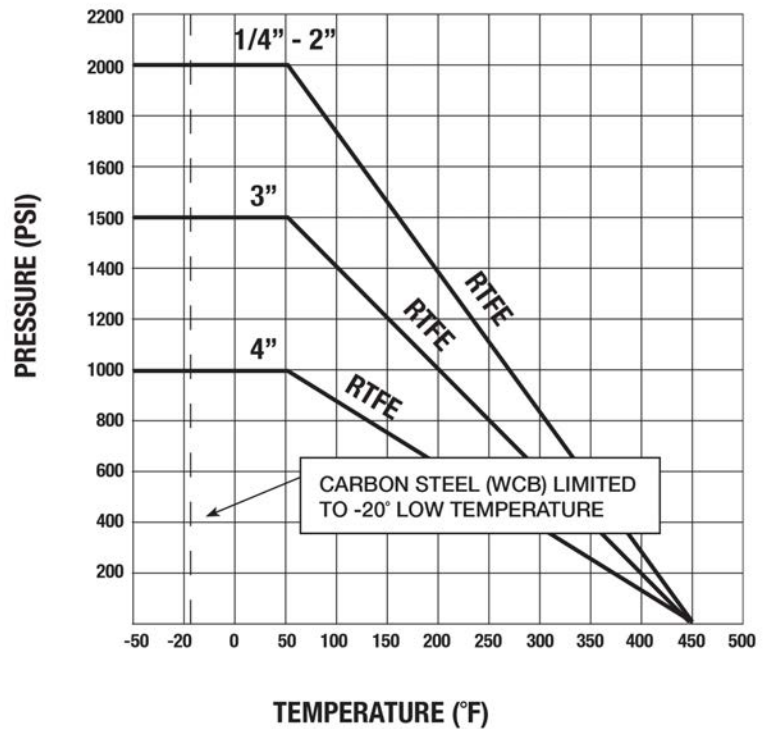
DIMENSIONS (INCHES)

NPS	A	B	C	D	E	F
1/4"	2.16	0.43	2.08	3.93	1.10	12-24UNC
3/8"	2.16	0.47	2.08	3.93	1.10	12-24UNC
1/2"	2.44	0.59	2.28	4.13	1.10	1/4-20UNC
3/4"	3.07	0.78	2.48	4.80	1.37	1/4-20UNC
1"	3.54	1.00	2.95	6.10	1.37	1/4-20UNC
1-1/4"	3.86	1.26	3.42	6.18	1.37	1/4-20UNC
1-1/2"	4.64	1.50	3.62	6.77	1.45	1/4-20UNC
2"	5.35	2.00	4.25	8.66	1.45	1/4-20UNC
3"	7.48	3.07	5.59	11.02	2.12	1/4-20UNC
4"	8.93	3.85	6.22	12.60	2.12	1/4-20UNC

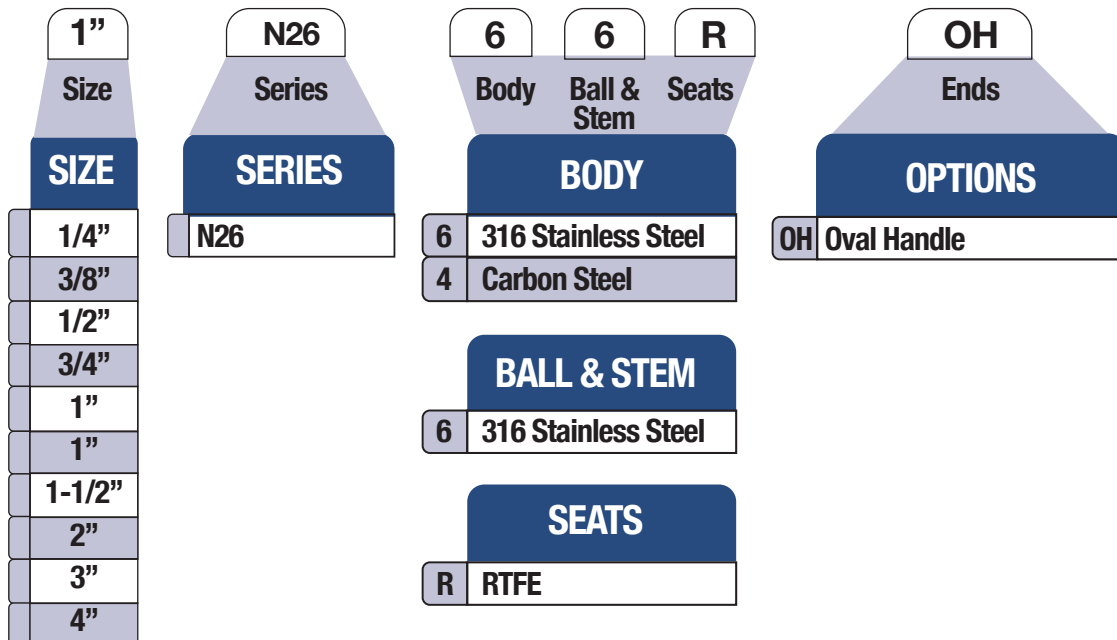
APPLICABLE STANDARDS		
SHELL TEST	ASME	B16.34
SEAT TEST	ASME	B16.34
THREADED ENDS	ASTM	B16.11

SIZE	CV (GPM)	WEIGHT LBS.
1/4"	10	0.60
3/8"	10	0.60
1/2"	16	0.80
3/4"	32	1.50
1"	62	2.30
1-1/4"	115	3.30
1-1/2"	140	5.40
2"	365	7.80
3"	750	21.40
4"	900	34.00

PRESSURE – TEMPERATURE RATINGS SERIES N26



HOW TO ORDER



Toll-Free (833) 831-2312
 Local (312) 636-3557
 Fax: (312) 637-3543
 Email: sales@chicagovalves.com
 www.chicagovalve.com
 835 Cambridge Dr.
 Elk Grove Village, Illinois 60007 U.S.A.